

1

2

3

4

5

6

7

8

A

B

C

D

E

F

A

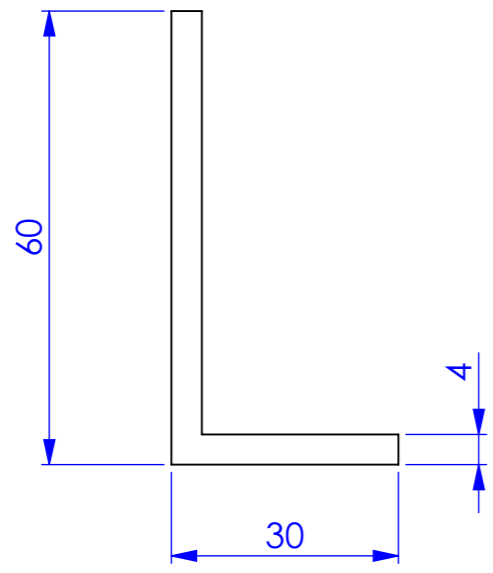
B

C

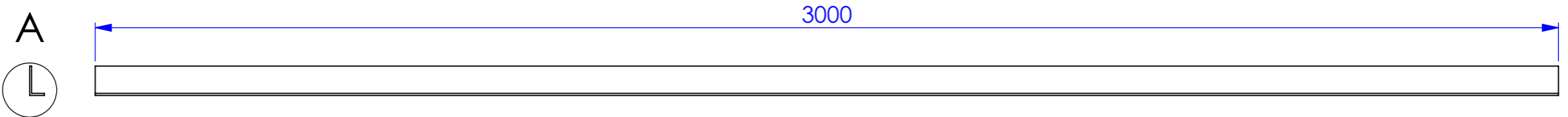
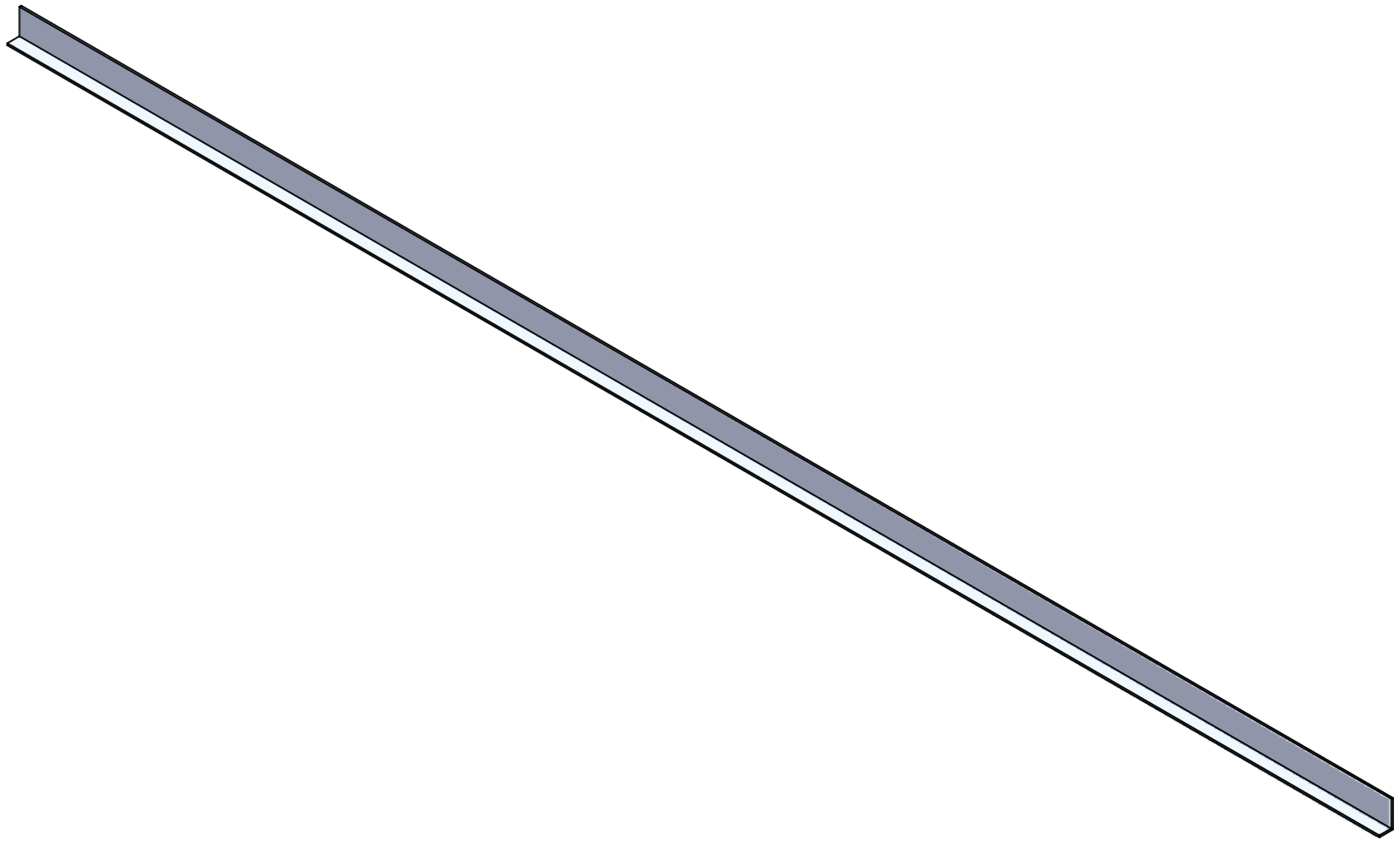
D


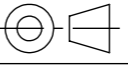
E

F



DETAIL A
SCALE 1 : 1



			Model Aluminium bottom start profile		Treatment:		
	Project / Order no:		Date: 13-6-2024		Material:		
Drawing Title:			Designed by: Thijssen Engineering		Mass total: 2,8 kg		
Drawing number: Aluminium bottom start profile				Revision:		Format: A3	
				Scale: 1:10		Sheet: 1/1	

ANY UNAUTHORIZED USE, REPRODUCTION, DISTRIBUTION OR DISCLOSURE TO THIRD PARTIES IS STRICTLY FORBIDDEN. CLAD X RESERVES ALL RIGHTS REGARDING INTELLECTUAL PROPERTY RIGHTS

1

2

3

4

5

6

7

8