



CLAD X

Delivery program PRODUCTS

As our products mainly consist of natural raw materials, a limited variation in colour is inevitable. A slight colour variation is an integral part of the unique character of CladX.

CladX strips are provided with a production date and unique system numbers that can be traced back to the production process. This quality control ensures a constant quality. CladX is delivered on a pallet, accessories are packaged separately (both non-returnable).

CladX cladding boards - standard

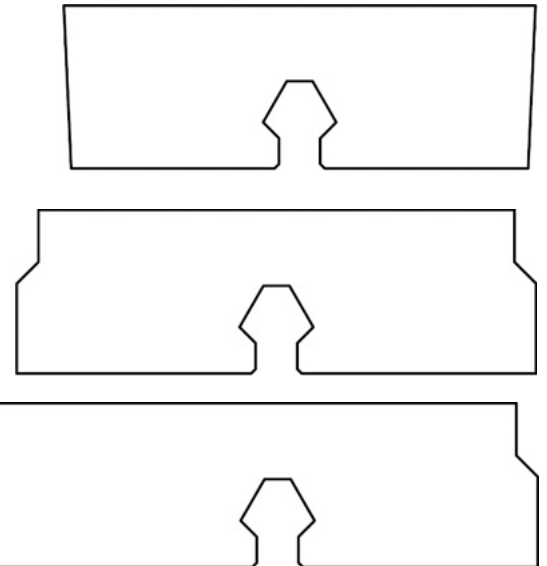
The standard CladX cladding boards are used in the flat façade surface.

Model	W x T x L	Weight*	System
S6422	64 x 22 x 2.400 mm	6,5 kg/pc	open joint
S7022	70 x 22 x 1.800 mm	4,8 kg/pc	closed
S14022	140 x 22 x 1.800 mm	9,6 kg/pc	

* ($\pm 0,175$ kg), in dry conditions.

Consumption examples**:

- appr. 6 pcs CladX 64 mm boards / m² for 70 mm c.t.c;
- appr. 8 pcs CladX 70 mm boards / m² for 70 mm c.t.c;
- appr. 4 pcs CladX 140 mm boards / m² for 70 mm c.t.c.

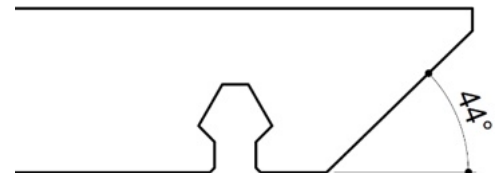


CladX corner boards

The CladX corner boards are used in corner and junction details in vertical applications. The boards are bevelled at a 44° angle on one side.

Model	W x T x L	Weight*	System
H6422	64 x 22 x 2.400 mm	5,6 kg/pc	open joint
H7022	70 x 22 x 1.800 mm	4,1 kg/pc	closed
H14022	140 x 22 x 1.800 mm	8,9 kg/pc	

* ($\pm 0,175$ kg), in dry conditions.



** the actual consumption heavily depends on the final installation distance, detailing, and façade layout. It is recommended to order an extra 2-5% for waste and reserves.

Flatrails with pre-assembled installation clips

Dimension alu profile: 1960 x 12 x 55 mm
 Nominal thickness : 18 mm
 Total thickness : 40 mm with 22 mm CladX
 Material : Aluminium 6060
 Finish : Black coating
 Material clip : Polyoxymethylene (POM)

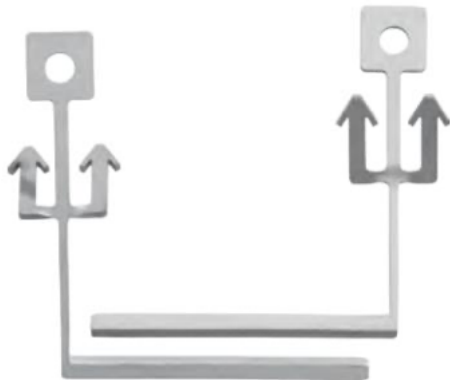
Model	c.t.c. clips	# clips	Weight
1792	70 mm	28 pcs	0,59 kg/m ¹

Accessories

When installing more than 3 consecutive lengths of rail, the Toplink connector is used to maintain the required 10mm clearance between the rails. This accessory is supplied at the desired clip spacing.

Model	c.t.c. clips
Toplink L	70 mm

If so desired, CladX cladding boards (open jointed) can be disassembled with the help of special system keys.



CladX BV



Houtzagerijstraat 22
 5451 HZ MILL
 The Netherlands



www.cladx.eu



sales@cladx.eu



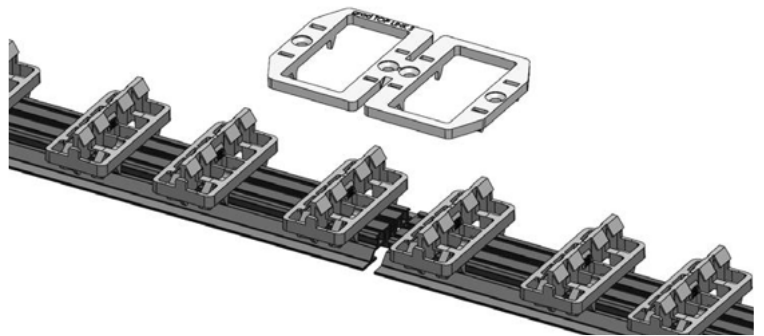
+31 (0)485 471812

** the actual consumption heavily depends on the final installation distance, detailing, and façade layout.

It is recommended to order an extra 2-5% for waste and reserves.

Consumption examples **:

- appr. 1 pcs Flatrail / m² for the minimum c.t.c.-distance of 55 cm;
- appr. 0,7 pcs Flatrail / m² for the maximum c.t.c.-distance of 75 cm;
- appr. 30 clips /m².



DISCLAIMER

Despite the constant care and attention we pay to the content of our documents, it is possible that the information published in them is incomplete or incorrect. The information in our documents is regularly supplemented and any changes can be made at any time with immediate effect and without any notice. A visitor may not disclose or reproduce copyrighted works or other information stored on our website without the permission of CladX B.V. (a private limited company registered with the Chamber of Commerce under number 93892950). We cannot guarantee that the information in our documents is suitable for the purpose for which you are consulting it. All information, products, and services are offered in their current state and without any (implicit) warranty or guarantee regarding their reliability and suitability for a specific purpose or otherwise. Our general terms and conditions apply to all quotations, legal relationships with third parties, and agreements of CladX B.V. We exclude all liability for any direct or indirect damage of any kind resulting from or in any way related to the use of our documents. CladX B.V. is also not liable for direct or indirect damage resulting from the use of information in our documents or obtained through our website.

In case of divergence between or conflict with other language versions, the Dutch version shall prevail.