

1 2 3 4 5 6 7 8

A

B

C

D

E

F

A

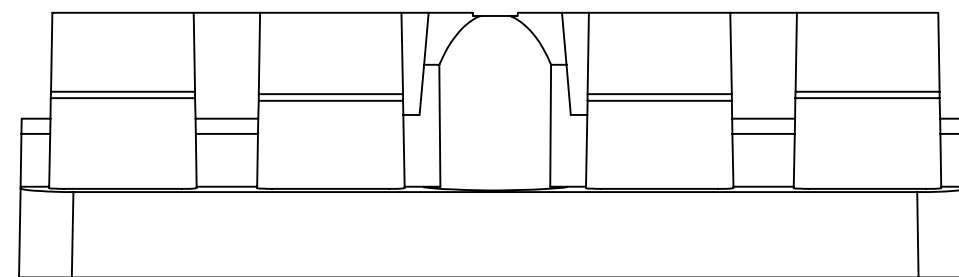
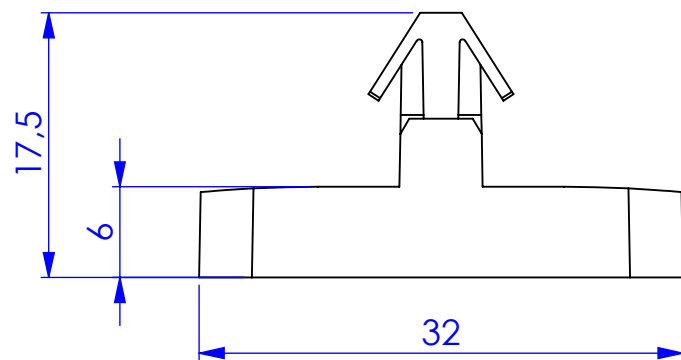
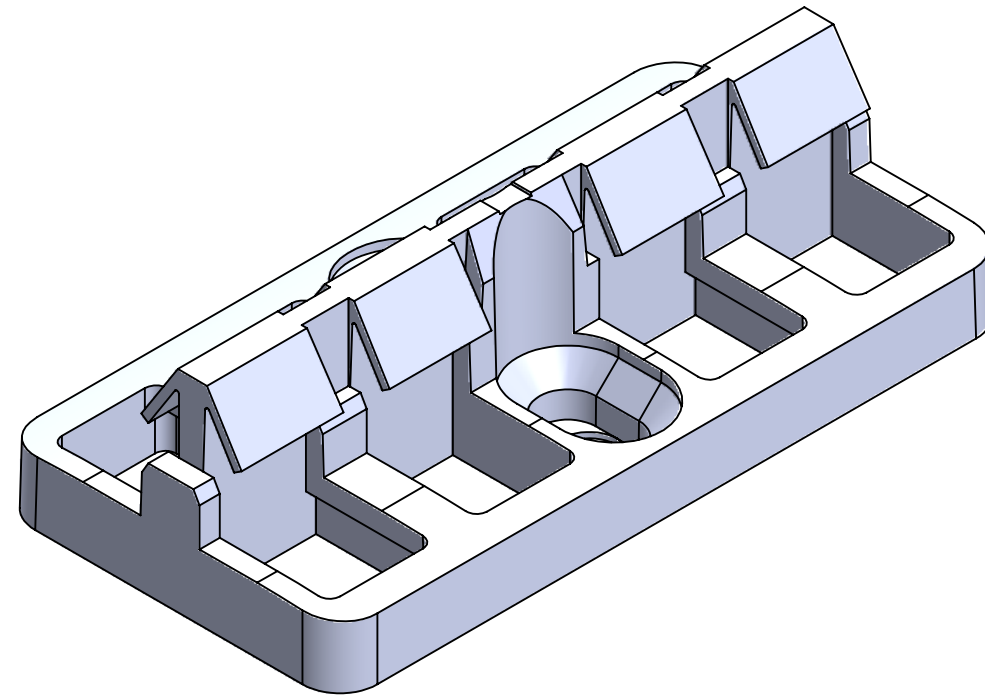
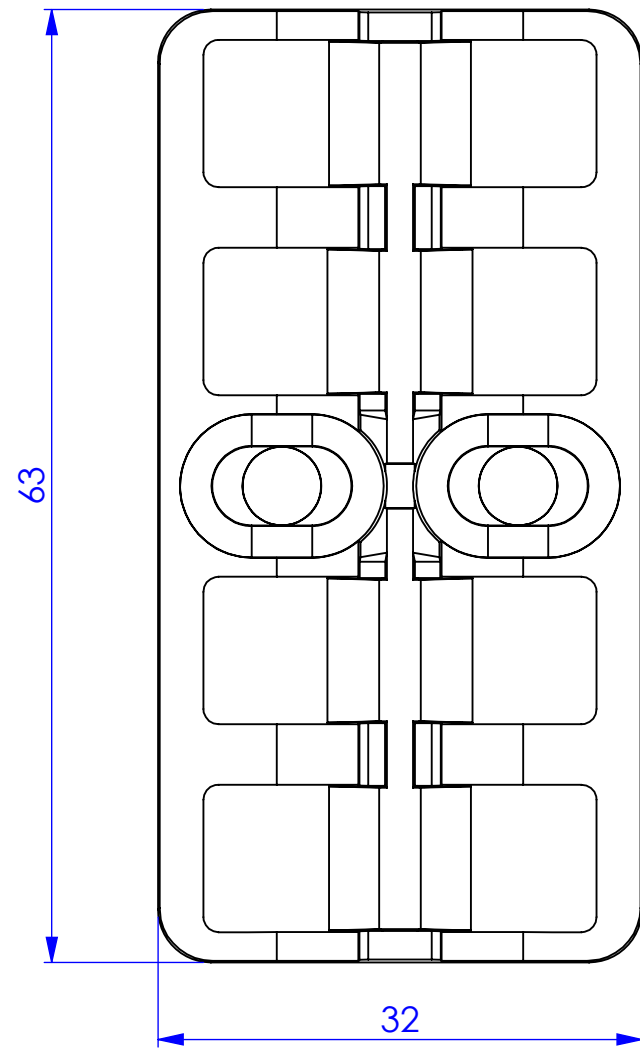
B



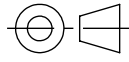
C

D

E

F



 		Model		Treatment:		
		Project / Order no:	Date: 13-6-2024	Material:		
Drawing Title:		Designed by: Thijssen Engineering	Mass total:			
Drawing number: clip without lug		Revision:	Format: A3	Scale: 2:1	Sheet: 1/1	

ANY UNAUTHORIZED USE, REPRODUCTION, DISTRIBUTION OR DISCLOSURE TO THIRD PARTIES IS STRICTLY FORBIDDEN. CLADIX RESERVES ALL RIGHTS REGARDING INTELLECTUAL PROPERTY RIGHTS

1 5 6 7 8